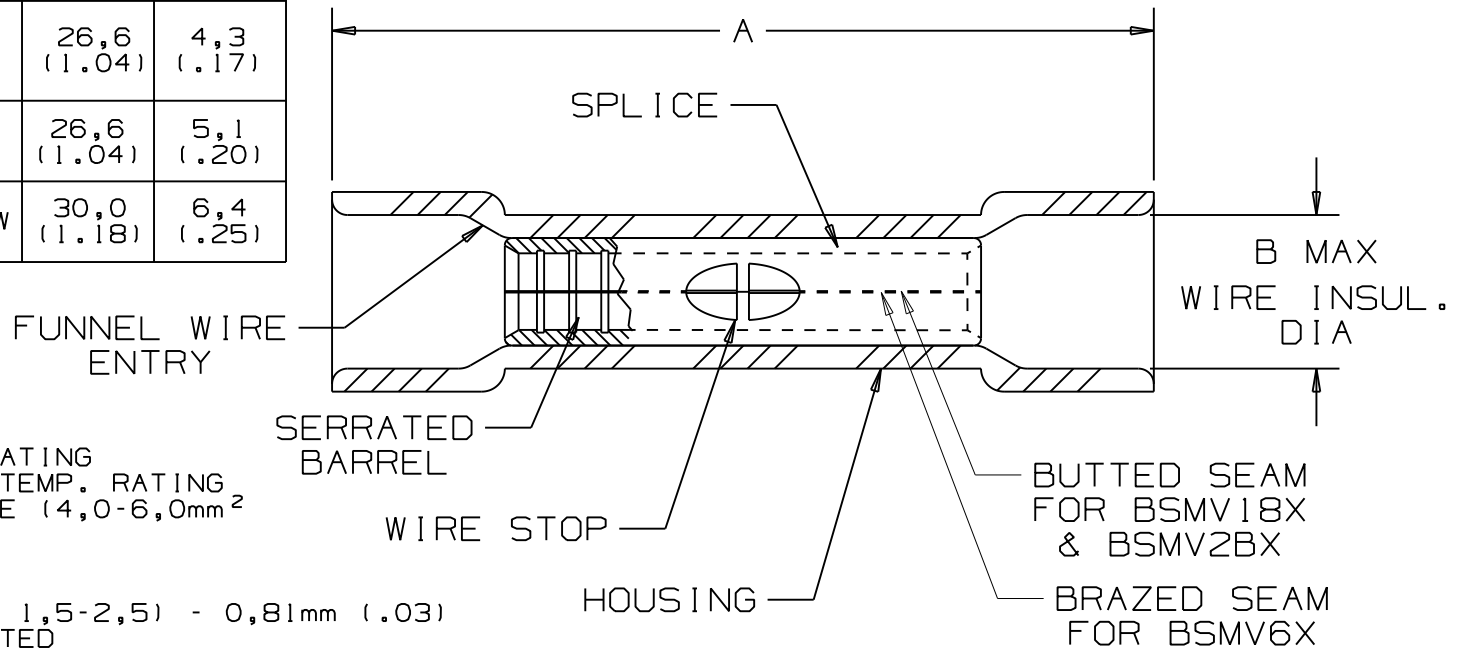


THIS COPY IS PROVIDED ON A RESTRICTED BASIS AND IS NOT TO BE USED IN ANY WAY DETRIMENTAL TO THE INTERESTS OF PANDUIT CORP.

PANDUIT PART #		WIRE RANGE mm <sup>2</sup>	COLOR CODE	DIMENSIONS mm	
PREFIX	PK			A ±0,51	B
BSMV1BX	-XY -LY -MY	0,5-1,5	RED	26,6 (1.04)	4,3 (.17)
BSMV2BX	-X -L -M	1,5-2,5	BLUE	26,6 (1.04)	5,1 (.20)
BSMV6X	-X -O	*2,5-6,0	YELLOW	30,0 (1.18)	6,4 (.25)



NOTES:

- USED FOR:
  - A. 600V MAX. VOLTAGE RATING
  - B. 105°C (221°F) MAX. TEMP. RATING
  - \*C. STRANDED COPPER WIRE (4,0-6,0mm<sup>2</sup> FOR CT-1551M)
- MATERIAL:
  - A. STAMPING (0,5-1,5 & 1,5-2,5) - 0,81mm (.03) THK COPPER, TIN PLATED
  - B. STAMPING (2,5-6,0) - 1,02mm (.04) THK COPPER, TIN PLATED
  - C. HOUSING- VINYL
- DIMENSIONS IN BRACKETS ARE IN INCHES
- PACKAGE QTY:
  - X, -X=10, -O=25, -L, -LY=50, -D=500, -M, -MY=1000
- WIRE STRIP LENGTH:  $7,9^{+,8}_{-0}$  ( $5/16^{+1/32}_{-0}$ )
- INSTALLATION TOOLS: REF. DWGS. A41522, A41523, A41524, A41525

REV	DATE	BY	CHK	DESCRIPTION	ECN #	CUST	PM
11	8/09	BCT		REMOVED BSMV6X-D			
10	8/09	BCT		MODIFIED BSMV1BX PKG CODE TO -LY			
09	10/8	SRB		Removed "C" packaging code and replaced with "L"&"O" packaging code.			

**PANDUIT**

CORP. TINLEY PARK, ILLINOIS

EXPANDED VINYL INSULATED METRIC BUTT SPLICES

DRAWN BY BDK CHK'D SCALE NONE DRAWING NO. A41420